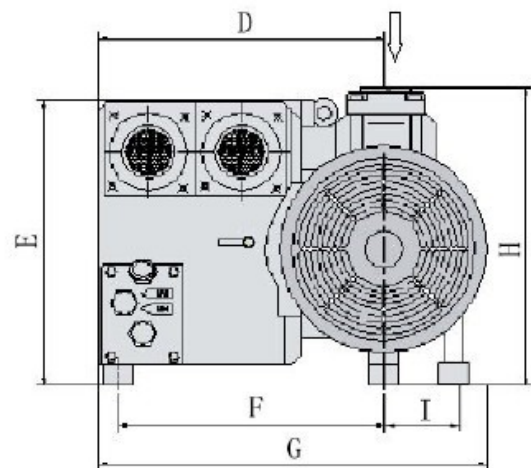
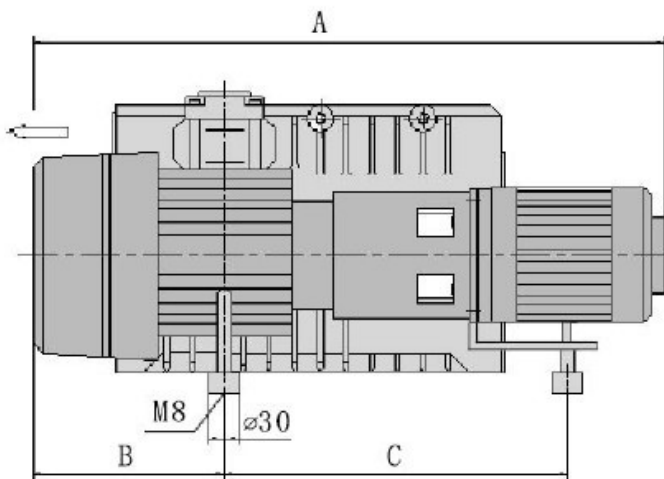


X-63 Single Stage Rotary Vane Vacuum Pump



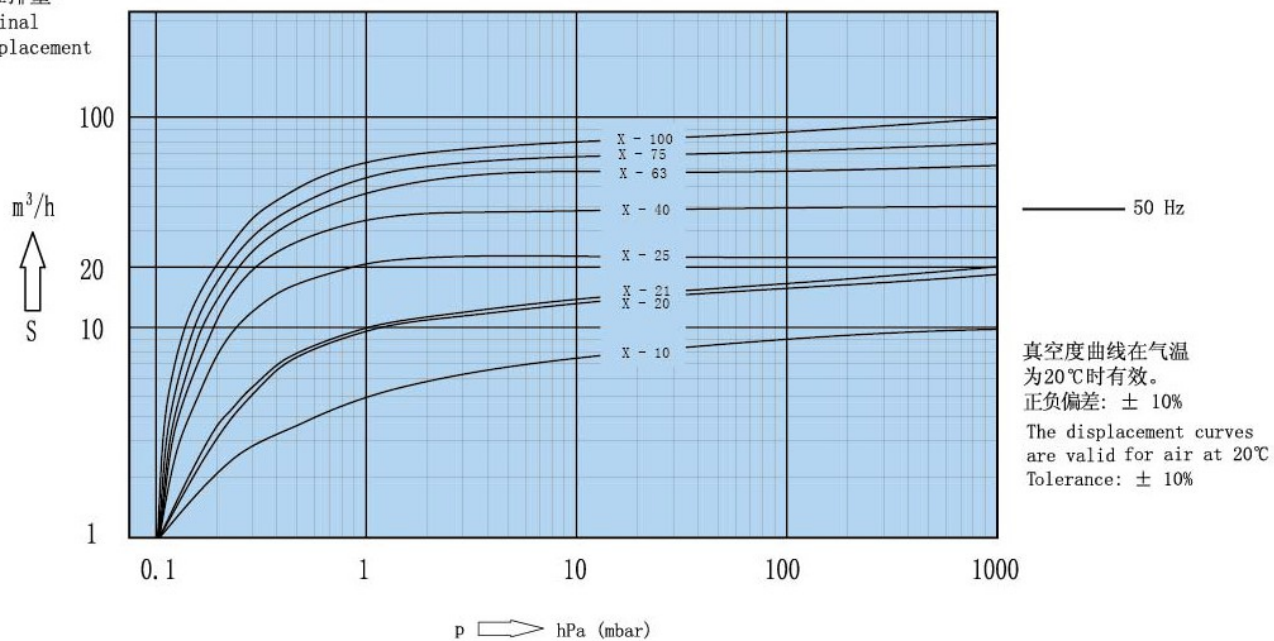
Item	Unit	X-63
Rated Speed	m ³ /h	63
Utmost Pressure	mbar	0.1-0.5
Noice	dB (A)	65
Work temperature	°C	84
Oil consumption	L	2
Vapor permitted pressure	mbar	40
Suction rate of vapour	kg/h	1
Whorl of inlet	inch	Rp1 1/4"
Whorl of outlet	inch	Rp1 1/4"
Motor rated power	kW	1.5
Motor rated rotating speed	rpm	1440
Total weight	kg	58
Vacuum pump size	cm	65*43*29.5



Dimension	A	B	C	D	E	F	G	H	I
X-63	650	150	265	295	285	278	430	295	-

Vacuum Curve

标准排量
Nominal
displacement



Product

link : <https://www.joysun-machinery.com/x-63-single-stage-rotary-vane-vacuum-pump.html>